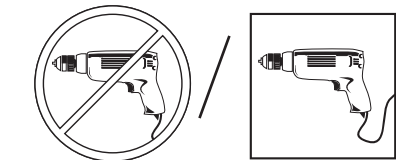


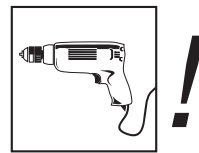
4-13



4-13 / 4-12+14



4-13

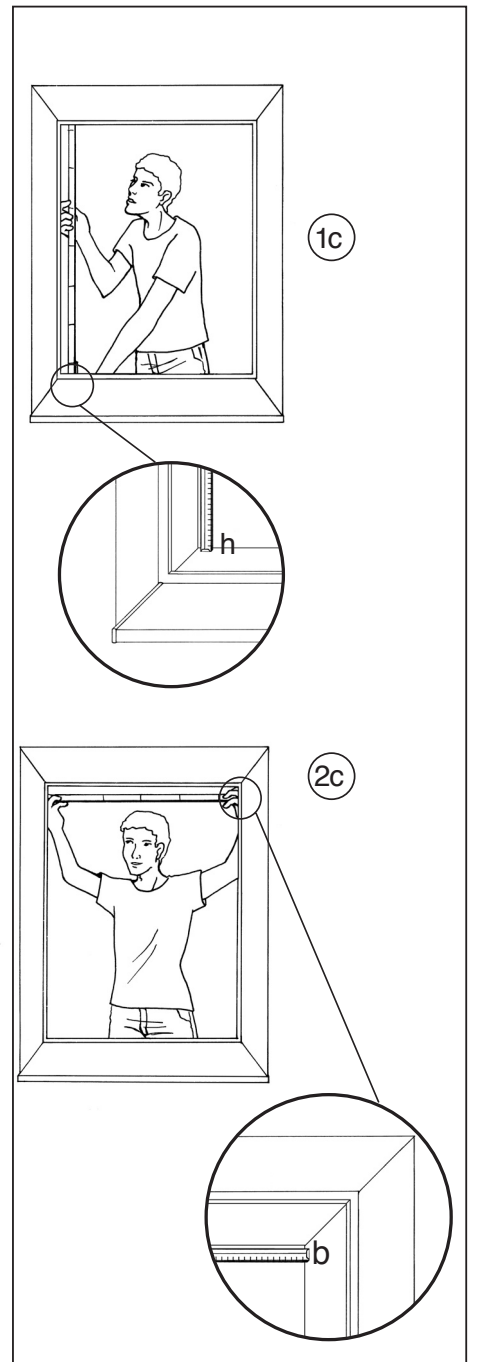
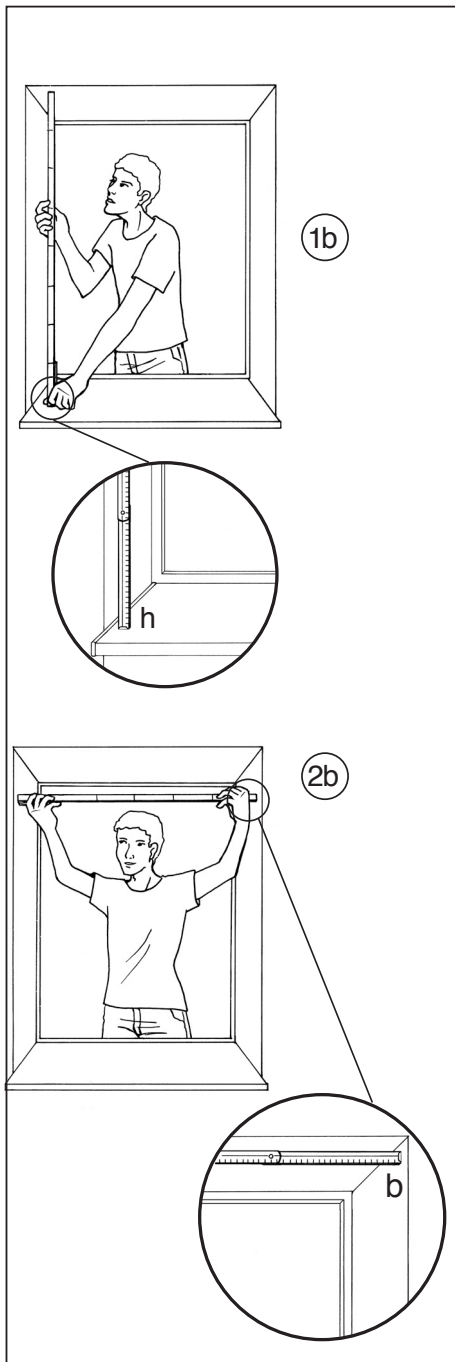
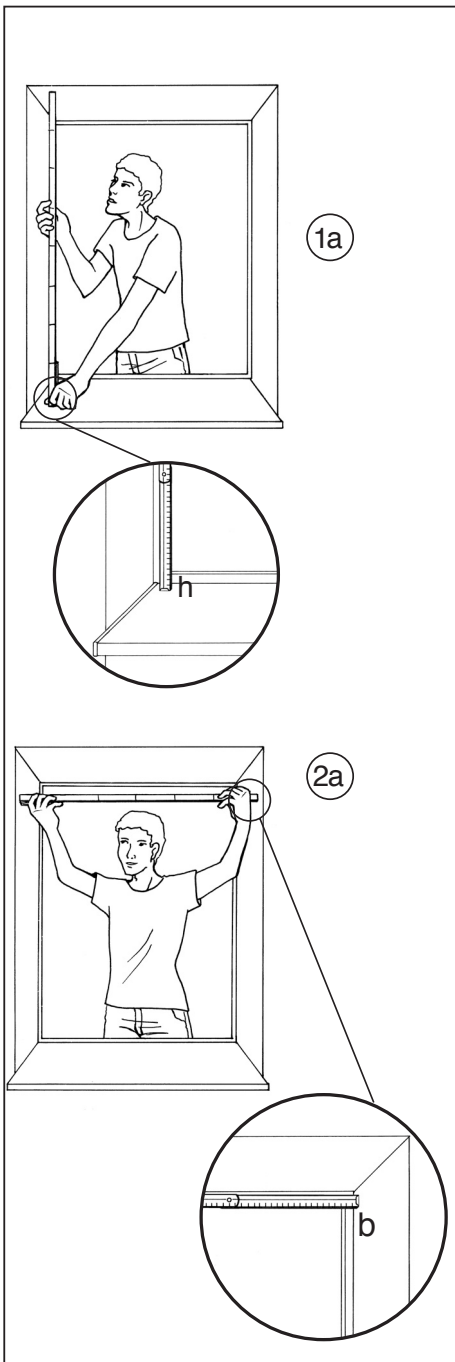
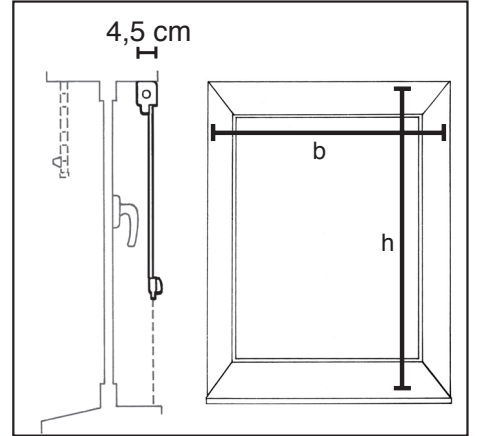
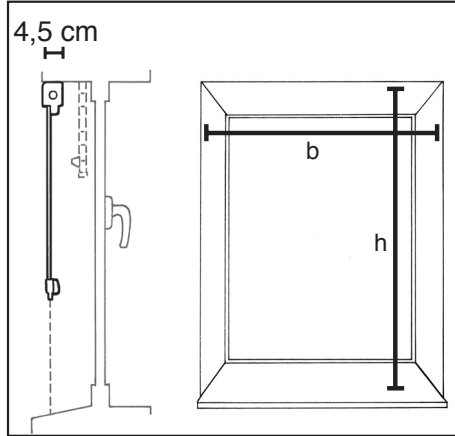
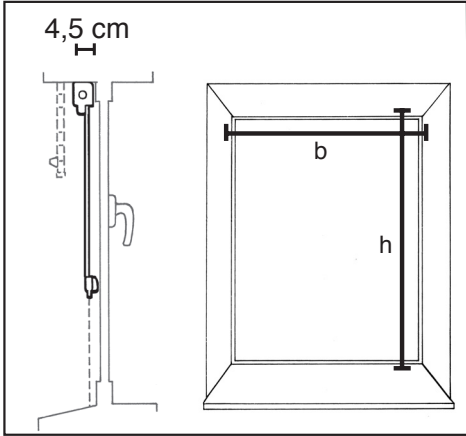


4-12+14

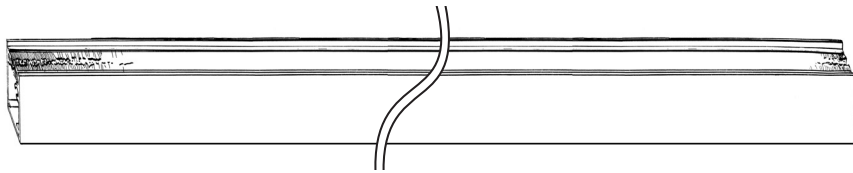
# A

# B

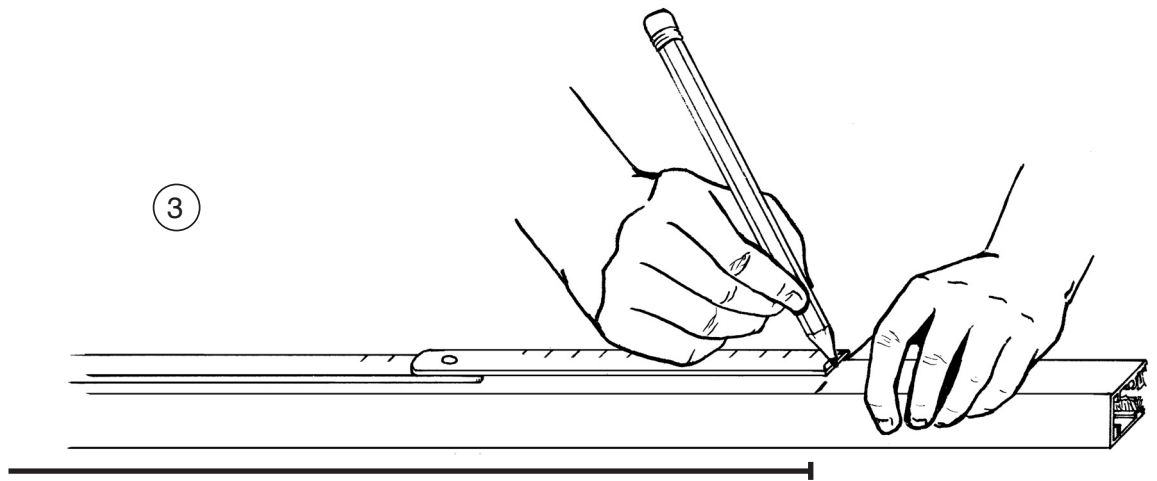
# C



2x

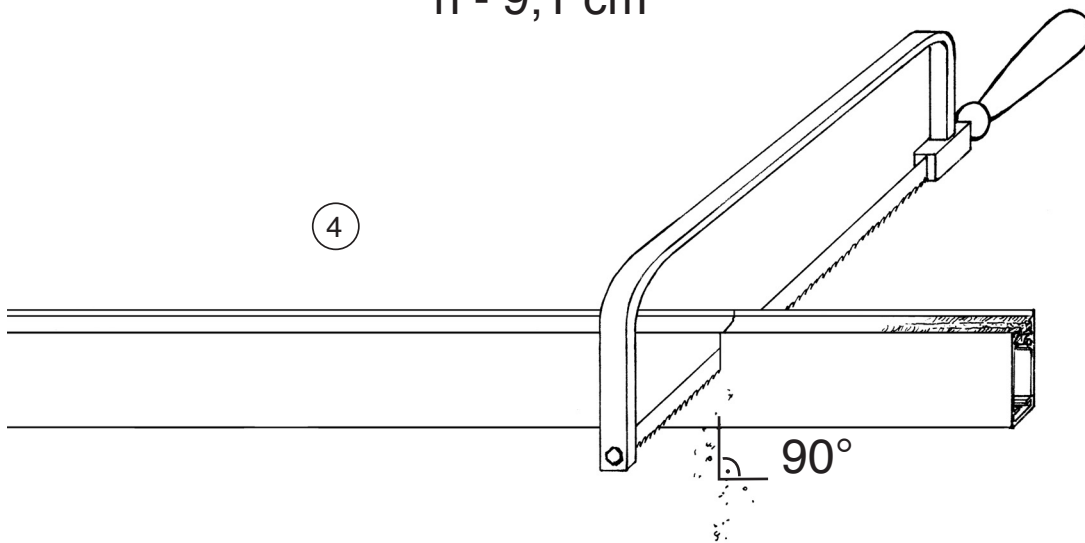


3

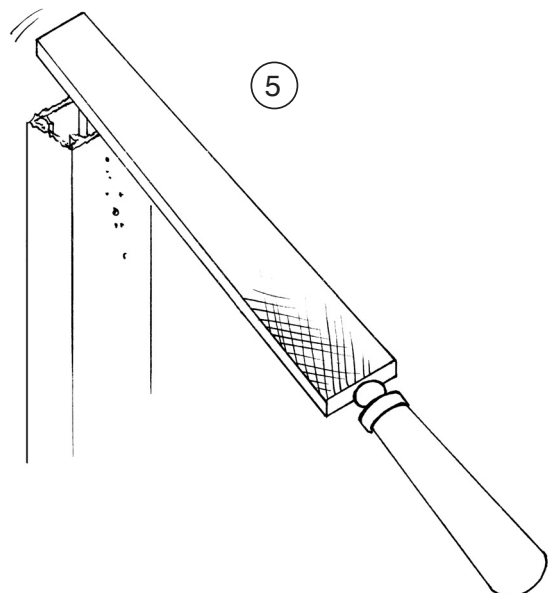
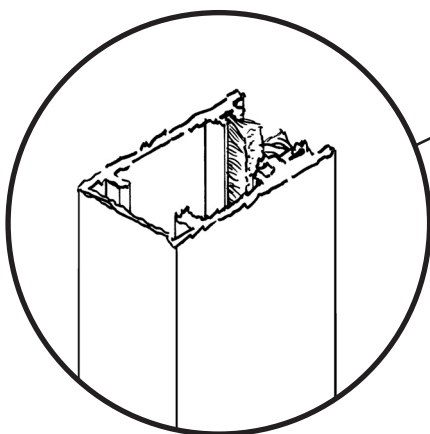


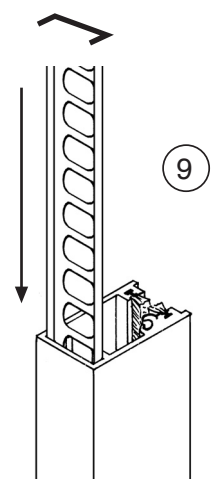
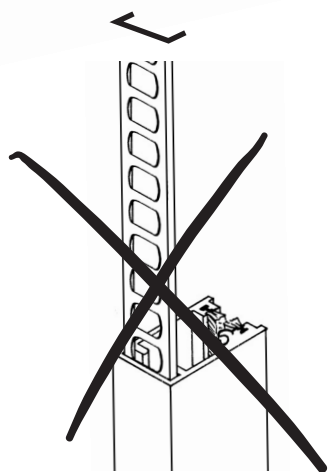
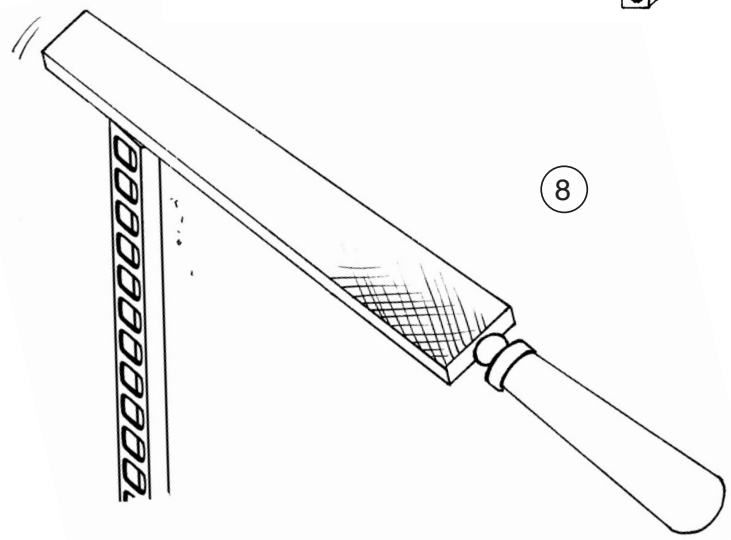
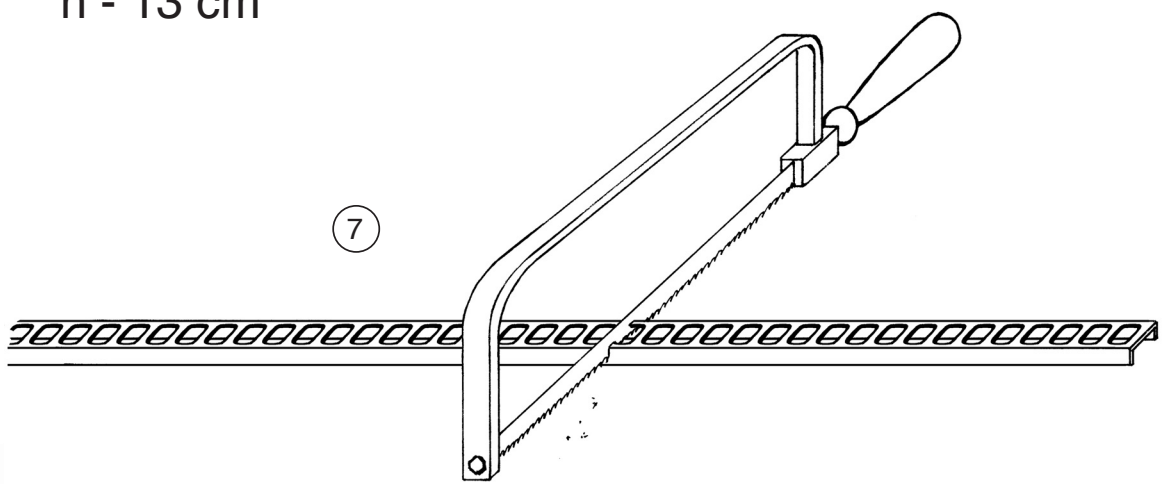
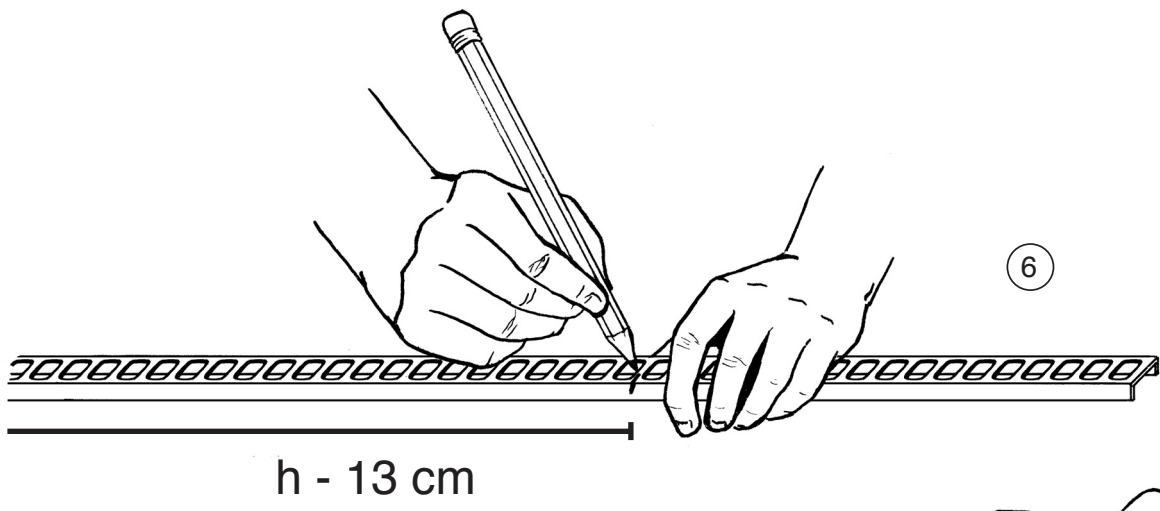
h - 9,1 cm

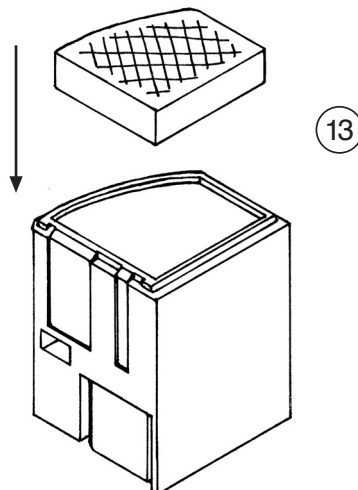
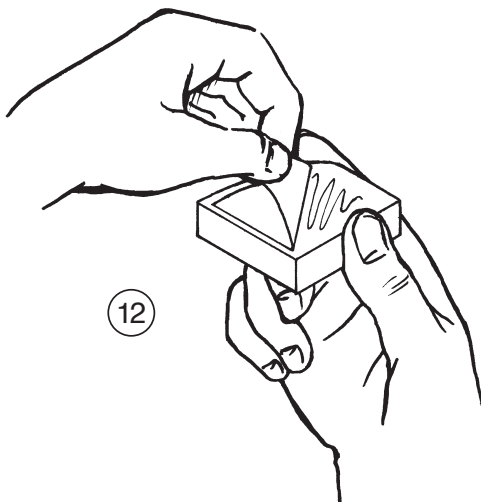
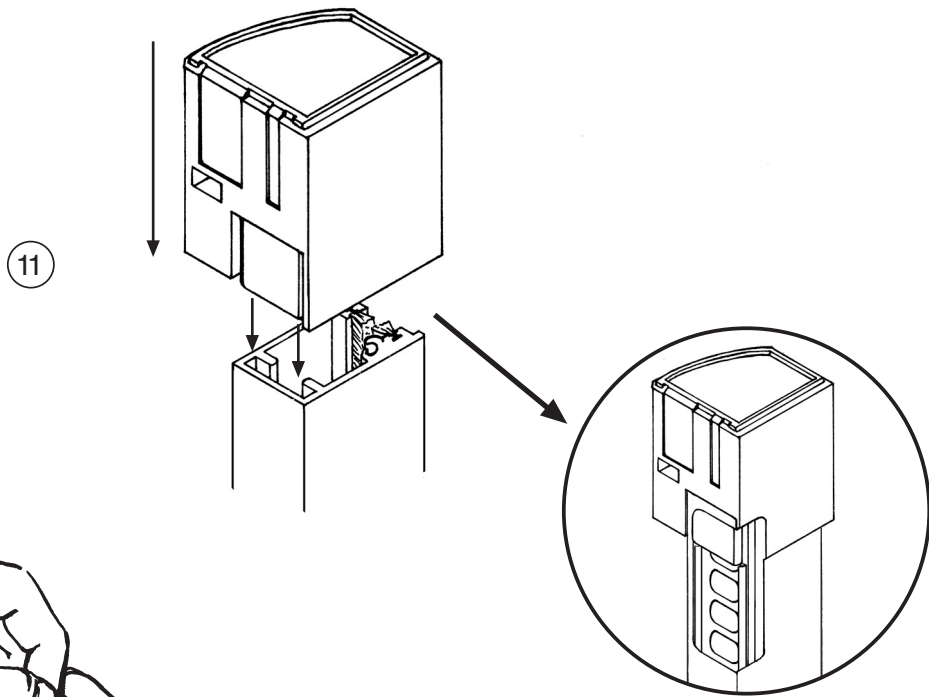
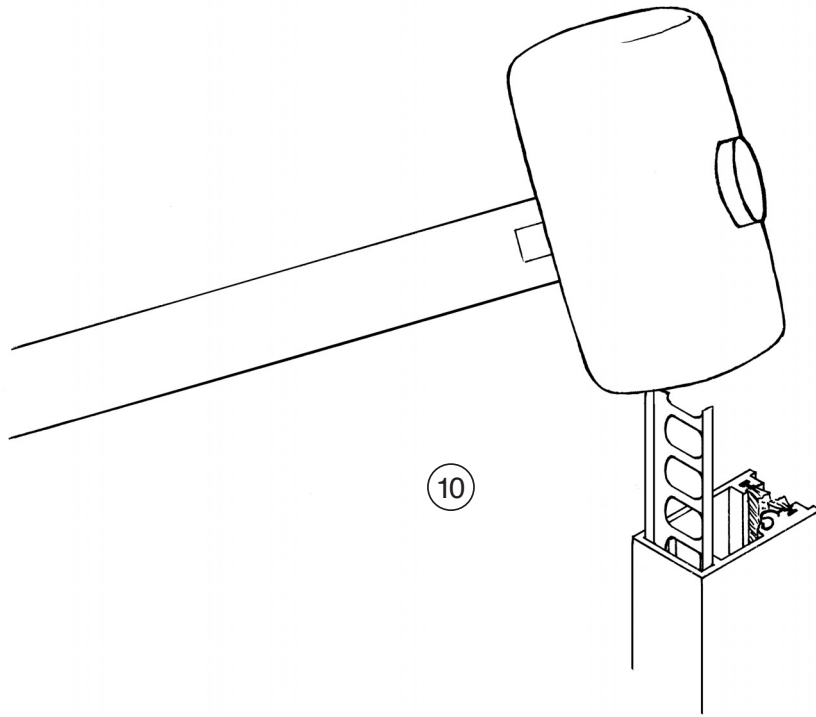
4



5

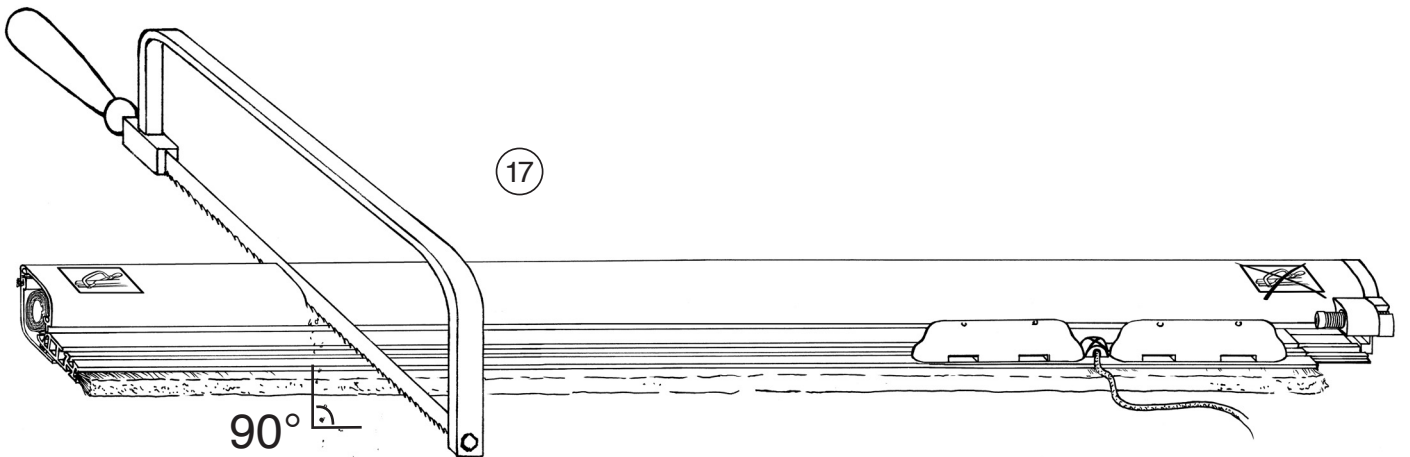
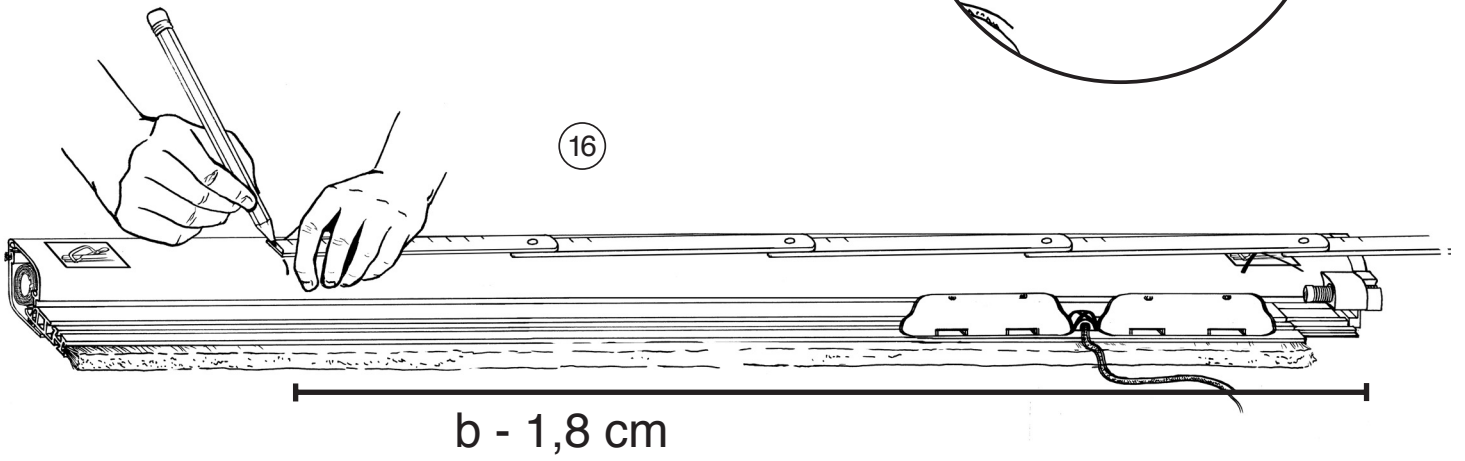
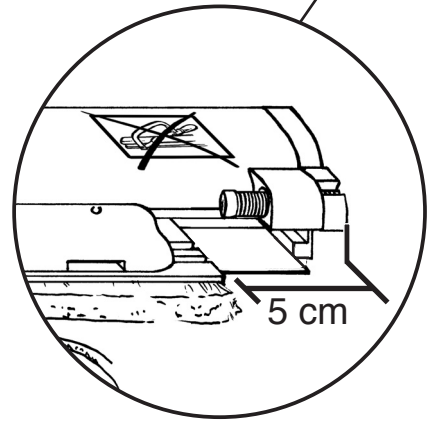
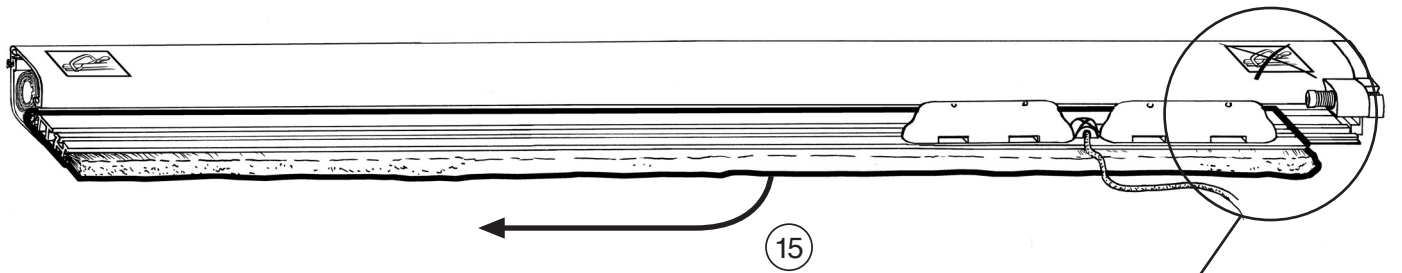
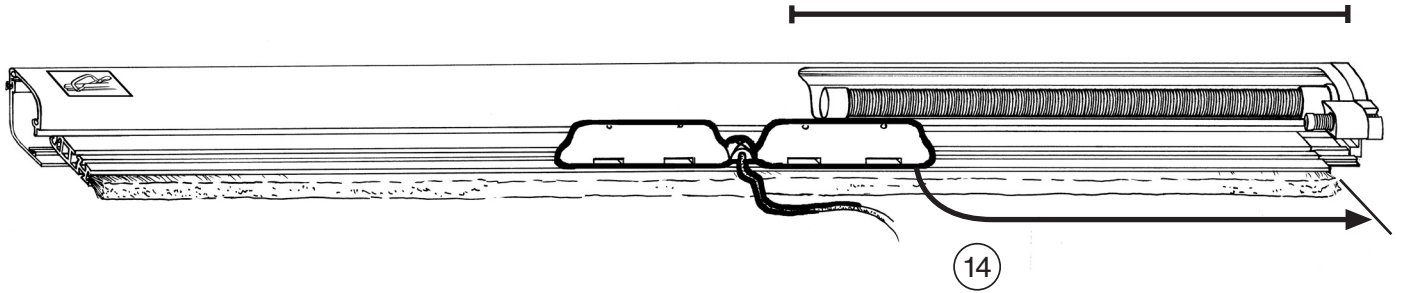




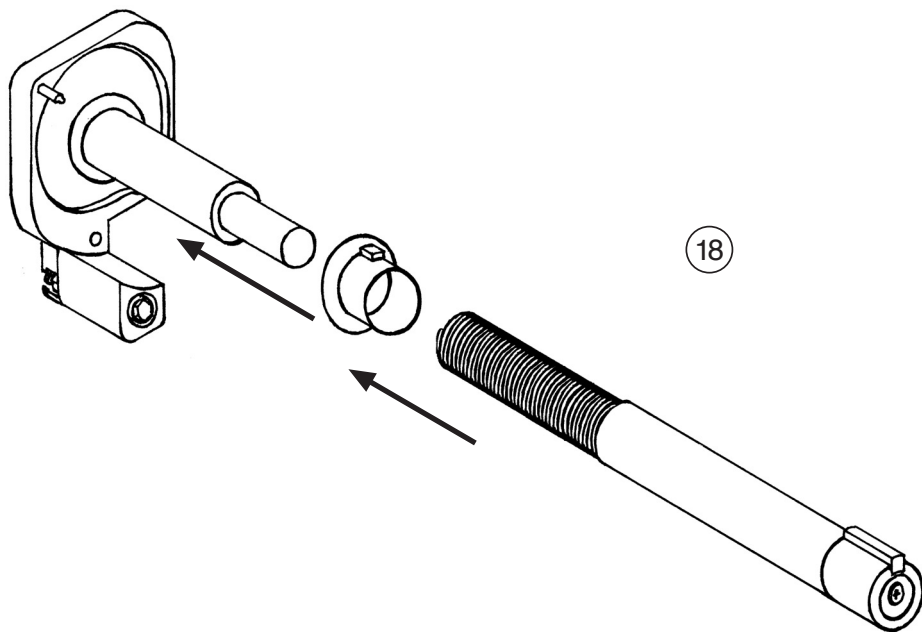
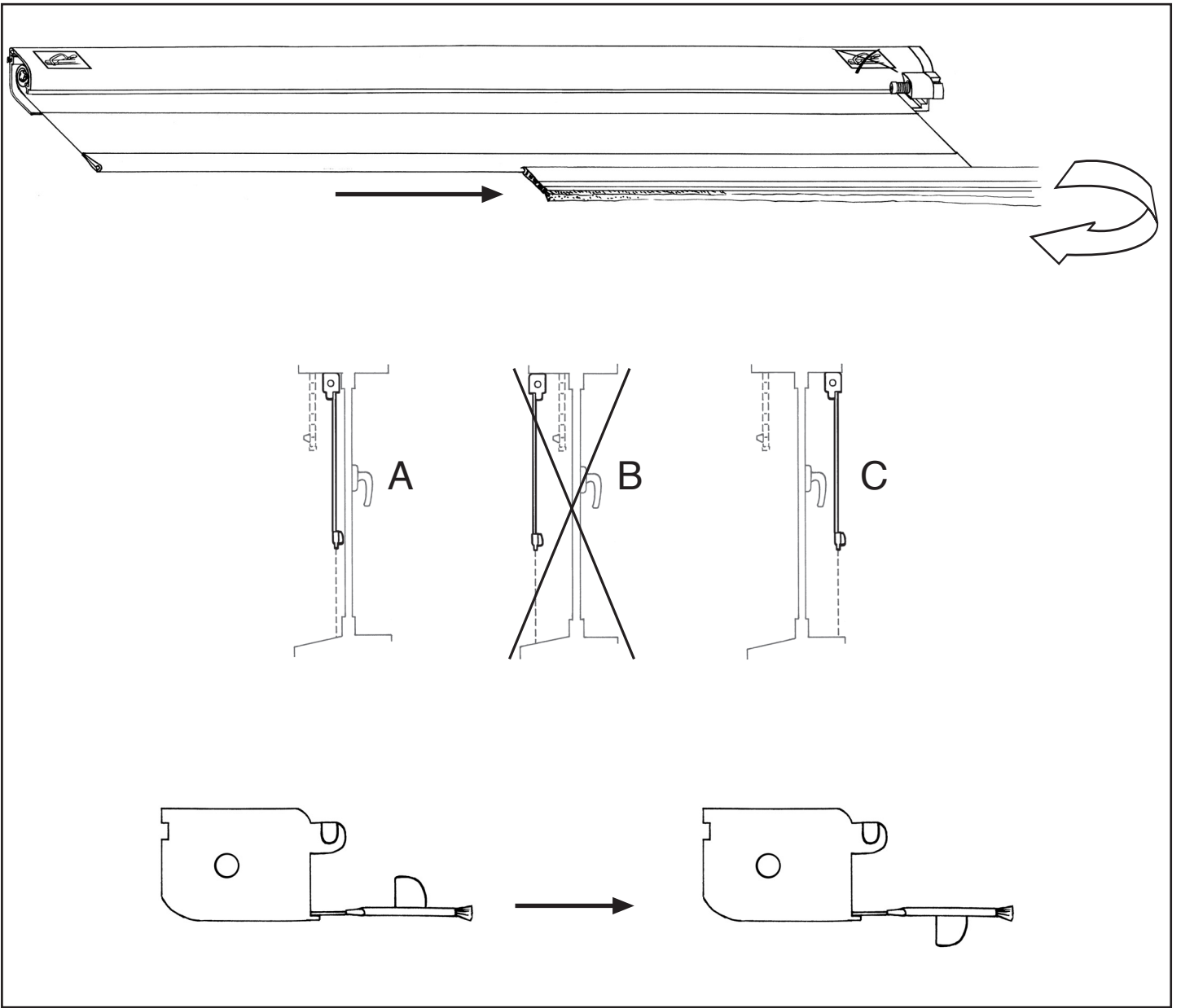


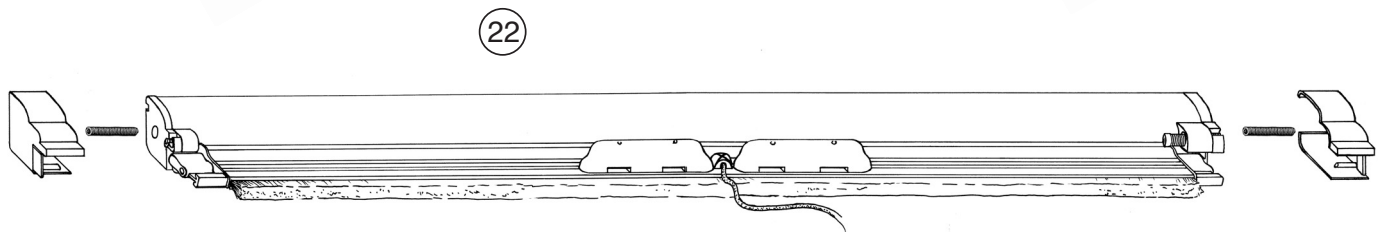
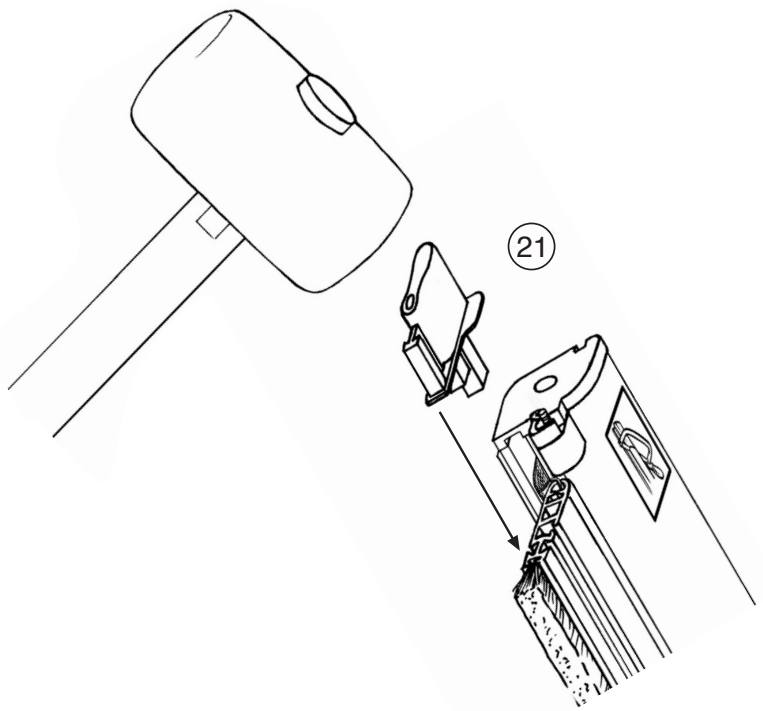
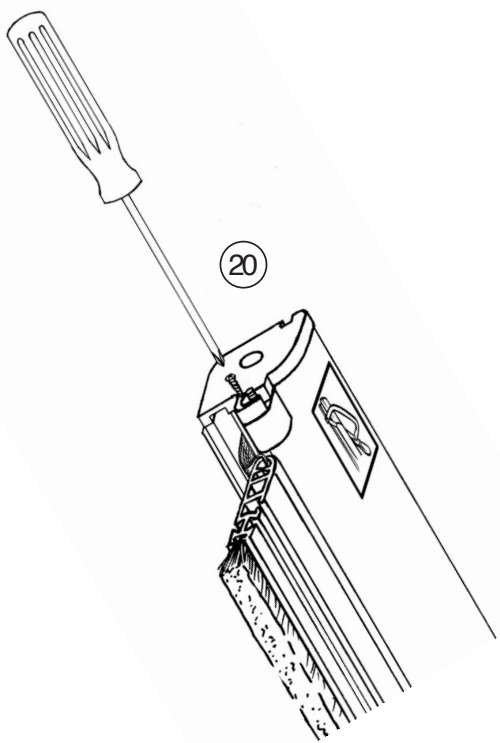
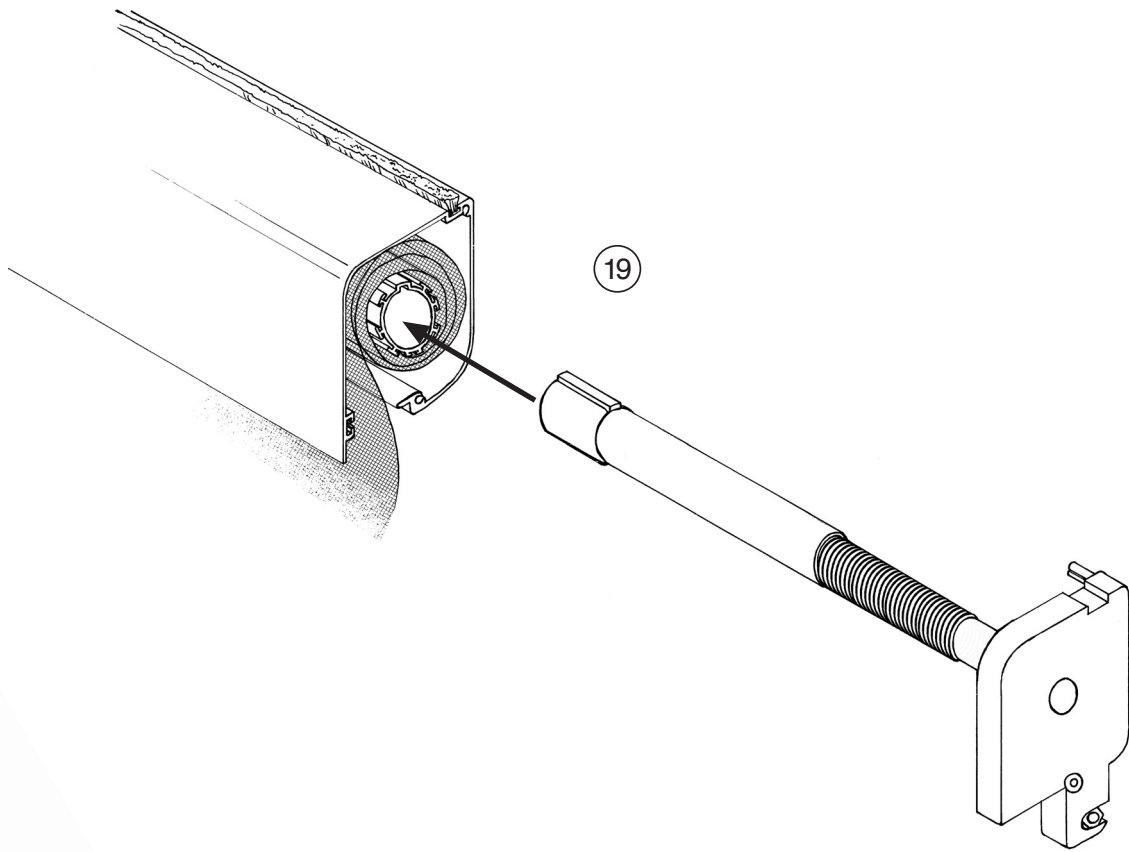


min 62 cm

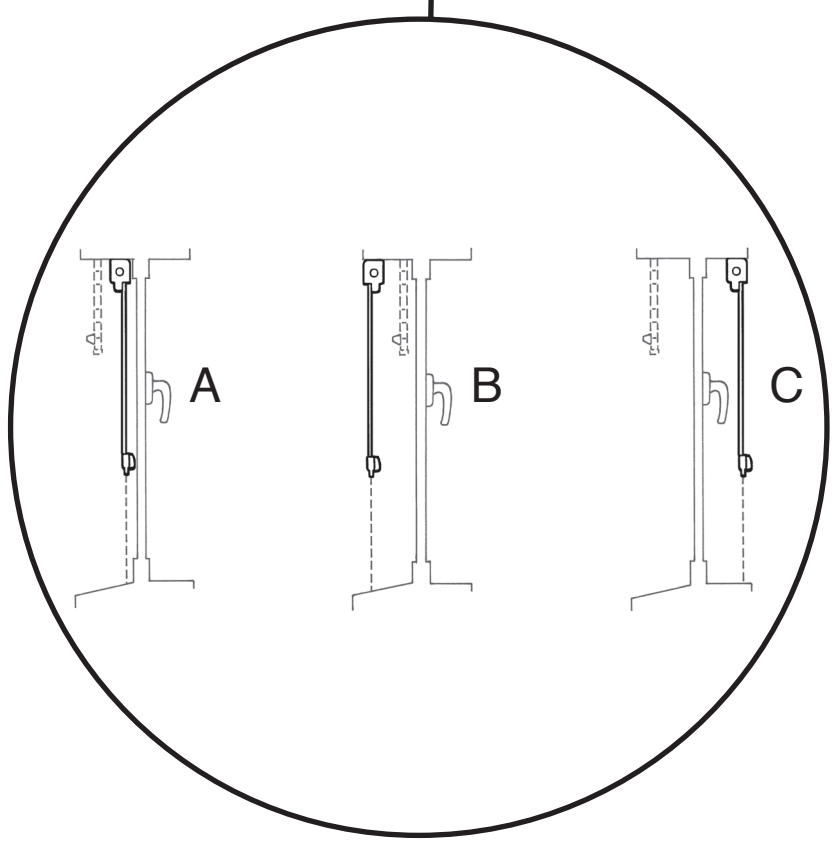
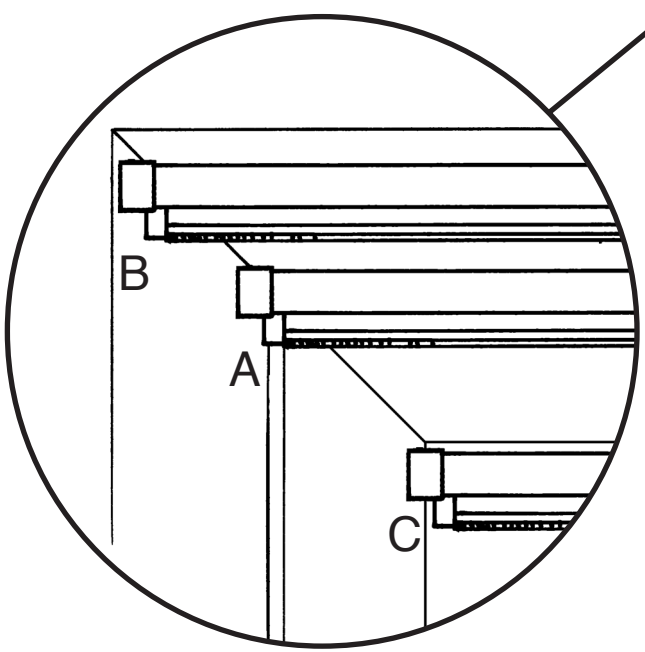
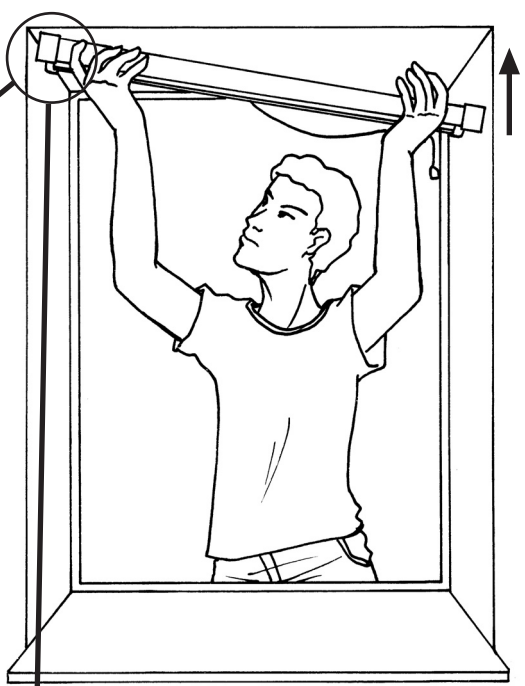




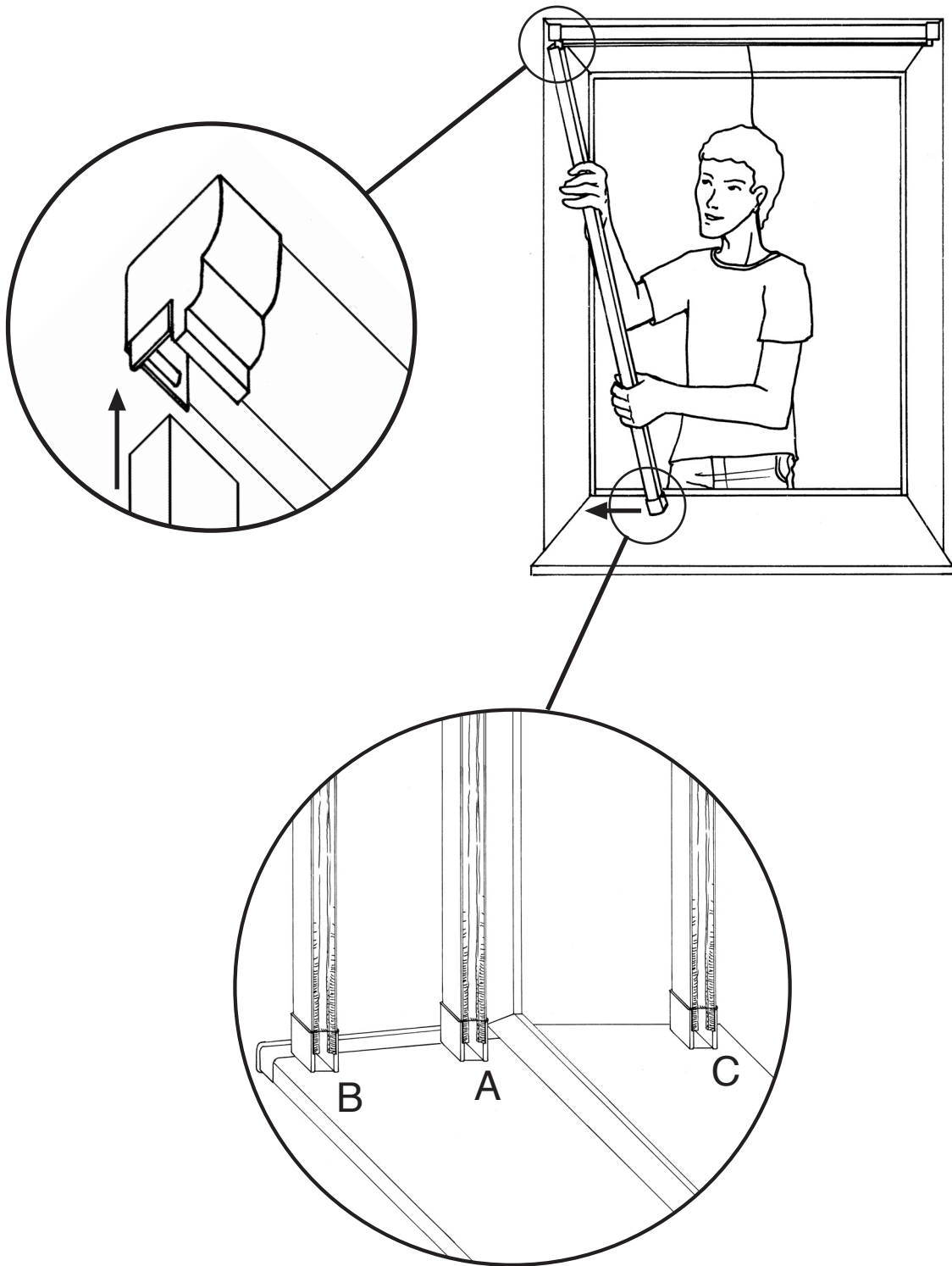


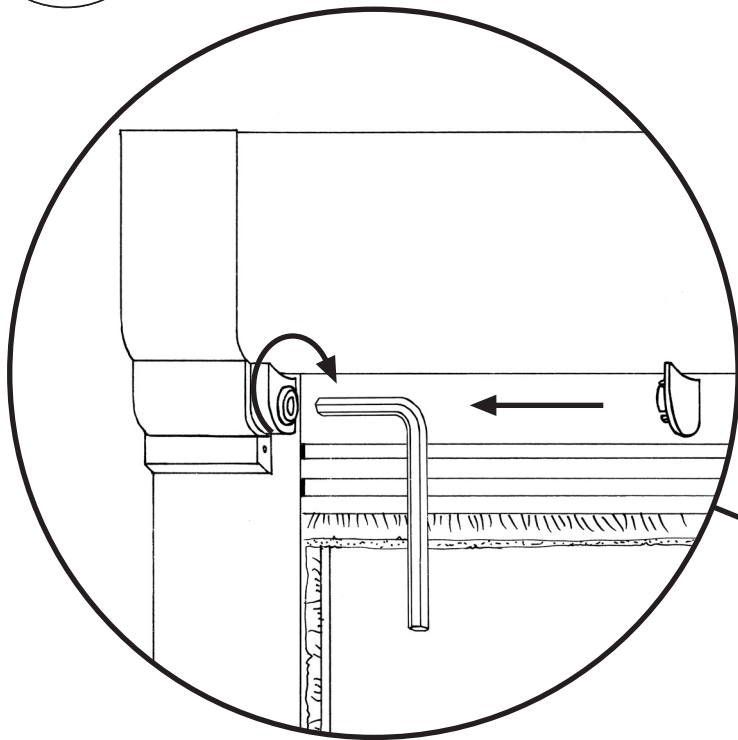
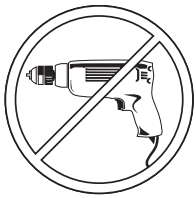


23



24





25

